

H2.0-3.5A SERIES

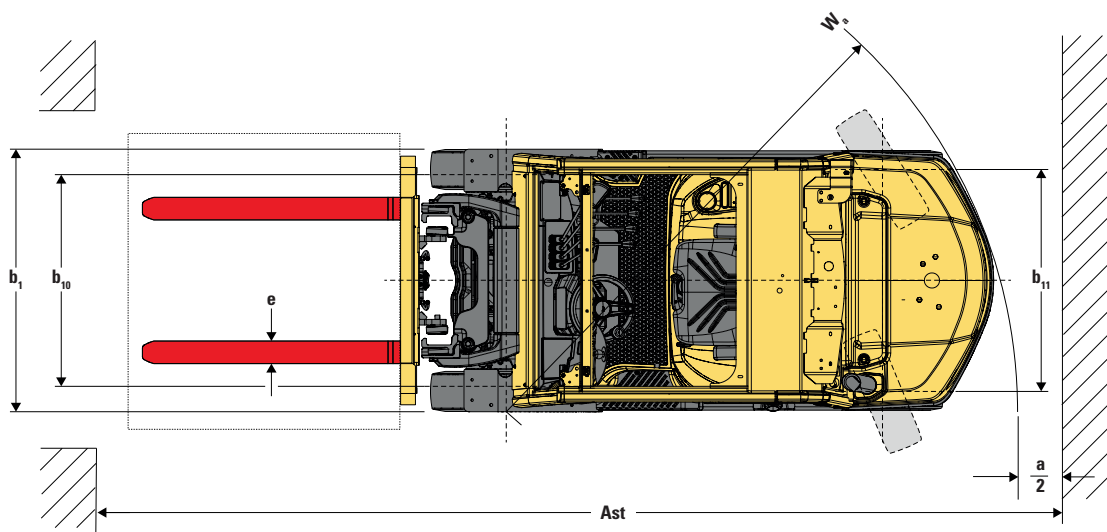
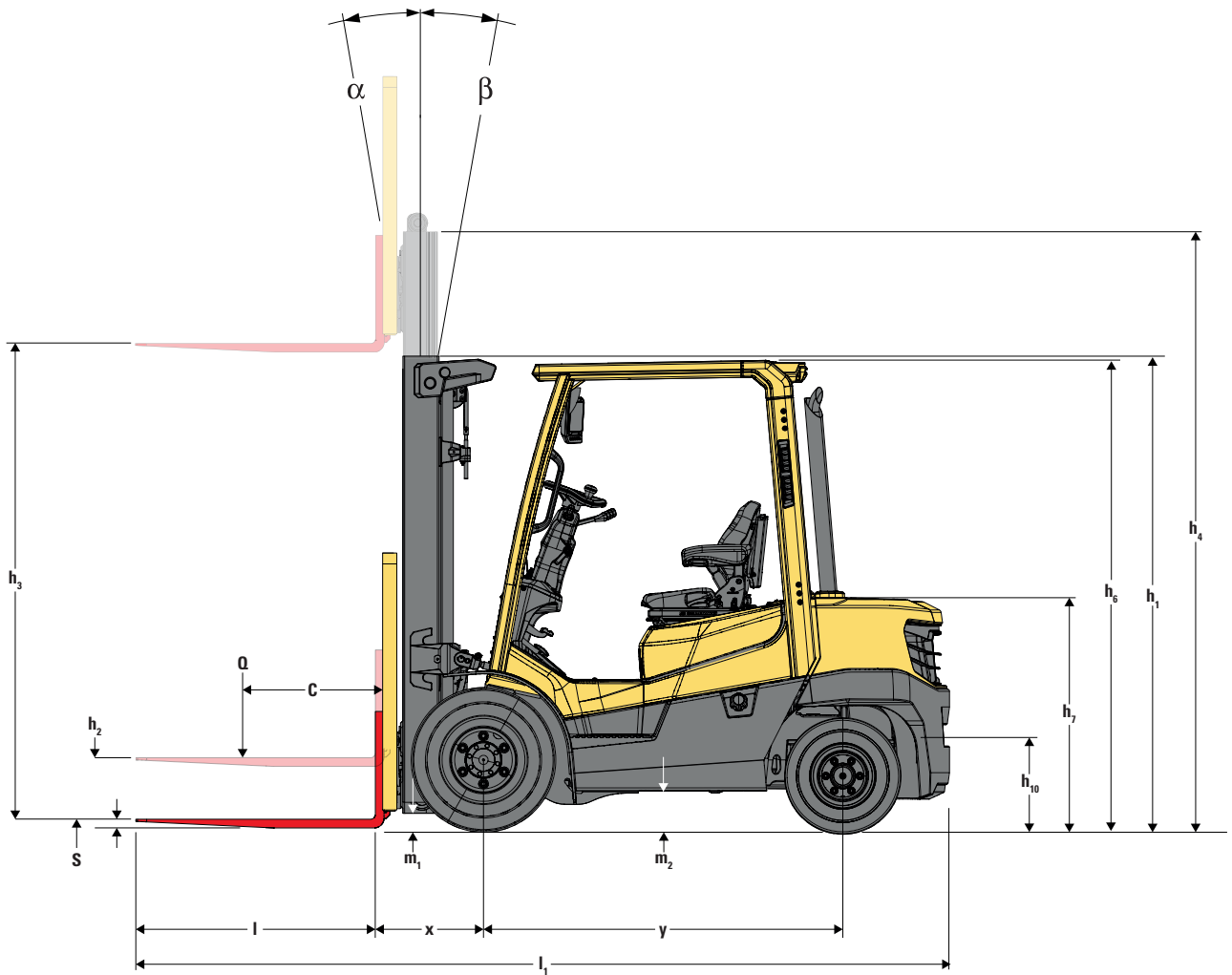


DIESEL AND LPG FORKLIFT TRUCKS
PRODUCT TECHNICAL GUIDE



WWW.HYSTER.COM

TRUCK DIMENSIONS



H2.0A DIESEL/LPG SPECIFICATIONS

GENERAL	1.1	Manufacturer			Hyster		
	1.2	Manufacturer's type designation			H2.0A		
		Engine		Yanmar 2.1L	Yanmar 3.0L	Yanmar 2.2L	
		CE Compliance / Emission Standard		Stage V	Tier III	Tier III & Stage V	
		Transmission		Electronic Powershift 1-Speed	Electronic Powershift / Duramatch 1-Speed	Electronic Powershift 1-Speed	
		Brake Type			Drum Brakes		
	1.3	Drive: electric (battery or mains), diesel, petrol, LPG			Diesel	LPG	
	1.4	Operator type: hand, pedestrian, standing, seated, order-picker			Seated Rider		
	1.5	Rated capacity/rated load	Q	t	2.0		
	1.6	Load centre distance	c	mm	500		
1.8	Load distance, centre of drive axle to fork	x	mm	470			
1.9	Wheelbase	y	mm	1650			
WEIGHTS	2.1	Service weight		kg	3613		
	2.2	Axle loading laden, front/rear		kg	4981 / 632		
	2.3	Axle loading unladen, front/rear		kg	1805 / 1808		
WHEELS	3.1	Tyres: P = Pneumatic, V = Solid, SE = Super Elastic			SE		
	3.2	Tyre size, front			7.00 X 12		
	3.3	Tyre size, rear			6.00 X 9		
	3.5	Number of wheels, front/rear (X = driven)			2x / 2		
	3.6	Tread, front	b ₁₀	mm	983		
	3.7	Tread, rear	b ₁₁	mm	958		
	4.1	Tilt of mast / fork carriage forward / backward	α / β	(°)	6 / 6		
DIMENSIONS	4.2	Height, mast lowered	h ₁	mm	2570		
	4.3	Free lift (1)	h ₂	mm	50		
	4.4	Lift (1)	h ₃	mm	3900		
	4.5	Height, mast extended (2)	h ₄	mm	4500		
	4.7	Height of overhead guard	h ₆	mm	2160		
	4.8	Seat height relating to SIP/stand height (3)	h ₇	mm	1153		
	4.12	Coupling height	h ₁₀	mm	440		
	4.19	Overall length	l ₁	mm	3534		
	4.20	Length to face of forks	l ₂	mm	2516		
	4.21	Overall width (single / wide / dual)	b ₁	mm	1160 / 1280 / 1542		
	4.22	Fork dimensions DIN ISO 2331	s/e/l	mm	40 X 100 X 1000		
	4.23	Fork carriage ISO 2328, class/type A, B			II A		
	4.24	Fork carriage width (4)	b ₃	mm	1070		
	4.31	Ground clearance, laden, below mast	m ₁	mm	130		
	4.32	Ground clearance, centre of wheelbase	m ₂	mm	160		
	4.34.1	Aisle width for pallets 1000 x 1200 crossways	Ast	mm	3861		
	4.34.2	Aisle width for pallets 800 x 1200 lengthways	Ast	mm	4061		
	4.35	Turning radius	Wa	mm	2191		
	4.36	Internal turning radius	b ₁₃	mm	640		
	4.41	90° intersecting aisle (with pallet W = 1200mm, L = 1000mm)			2018		
4.42	Step height (from ground to running board)		mm	440			
4.43	Step height (between intermediate steps between running board and floor)		mm	250			
PERFORMANCE	5.1	Travel speed, laden/unladen		km/h	18.5 / 18.7	17.5 / 17.8	18.5 / 18.7
	5.1.1	Travel speed, laden/unladen, backwards		km/h	18.8 / 19.0	17.7 / 18.1	18.8 / 19.0
	5.2	Lift speed, laden/unladen (5)		m/s	0.61 / 0.65	0.6 / 0.65	0.61 / 0.65
	5.3	Lowering speed, laden/unladen		m/s	0.58 / 0.5	0.58 / 0.49	0.58 / 0.50
	5.5	Drawbar pull, laden (6)		N	15917	15233	17304
	5.7	Gradeability, laden/unladen (7)		%	30 / 30	29 / 30	33 / 30
	5.9	Acceleration time, laden/unladen (to 15m)		s	5.2 / 4.7	5.05 / 4.48	5.4 / 4.3
	5.10	Service brake			Hydraulic		
	7.1	Engine manufacturer / type			Yanmar / 4TNV86CT	Yanmar 4TN94L	Yanmar / 4TN88G/GN
	7.2	Engine power according to ISO 1585	Kw		36.6	34.1	42
7.3	Rated speed	min-1		2500	2200	2500	
7.3.1	Torque at 1 / min	(N-m/min)		167 / 1625	162 / 1500	174 / 1690	
7.4	Number of cylinders/displacement	(-) / (cm ³)		4 / 2091	4 / 3053	4 / 2190	
7.5	Fuel consumption according to VDI 2198 (CDP/VDP)	ℓ/h or kg/h		2.5 / 2.3	3.15 / 2.72	2.4 / 2.2	
7.5.1	Fuel consumption according to VDI EN16796 (CDP/VDP)	ℓ/h or kg/h		2.1 / 2.0	2.81 / 2.42	2.1 / 2.0	
7.6	Turnover output (Power / ECO)	(1 / h)		92 / 83	N/A	96 / 85	
8.1	Type of drive unit			Automatic			
ADDITIONAL DATA	10.1	Operating pressure for attachments		bar	180		
	10.2	Oil volume for attachments (8)		l/min	60		
	10.3	Hydraulic oil tank, capacity		l	34.2	40.6	40.6
	10.4	Fuel tank, capacity		l	39.9	39.9	-
	10.7	Sound pressure level at the driver's seat (9)		dB (A)	78	82	77
	10.7.2	Guaranteed sound power 2001 / 14 / EC		dB (A)	101	N/A	101
	10.8	Towing coupling type			Pin		

(1) Top of forks. (2) Without load backrest. (3) Full suspension seat to manufacturers SIP. (4) Add 32mm with load backrest. (5) Constant displacement hydraulic pump (CDP). (6) At 1.6km/h. (7) At 4.8km/h. (8) Variable. (9) = LPAZ, measured according to the test cycles and based on the weighting values contained in EN12053.

Spec sheet truck based on:- 3290mm (H2.0-2.5 A) / 3105mm (H3.0-3.5 A) TOF 2 stage LFL Mast with standard carriage, 1000mm forks with manual levers.

CERTIFICATION: Hyster lift trucks meet the design and construction requirements of B56.1-1969, per OSHA Section 1910.178(a)(2), and also comply with the B56.1 revision in effect at time of manufacture. Certification of compliance with the applicable ANSI standards appears on the lift truck. Performance specifications are for a truck equipped as described under Standard Equipment on this technical guide. Performance specifications are affected by the condition of the vehicle and how it is equipped, as well as by the nature, condition of the operating area, proper service and maintenance of the vehicle. If these specifications are critical, the proposed application should be discussed with your dealer.

H2.5A DIESEL/LPG SPECIFICATIONS

GENERAL	1.1	Manufacturer			Hyster			
	1.2	Manufacturer's type designation			H2.5A			
	Engine			Yanmar 2.1L	Yanmar 3.0L	Yanmar 2.2L		
	CE Compliance / Emission Standard			Stage V	Tier III	Tier III & Stage V		
	Transmission			Electronic Powershift 1-Speed	Electronic Powershift / Duramatch 1-Speed	Electronic Powershift 1-Speed		
	Brake Type			Drum Brakes				
1.3	Drive: electric (battery or mains), diesel, petrol, LPG			Diesel		LPG		
1.4	Operator type: hand, pedestrian, standing, seated, order-picker			Seated Rider				
1.5	Rated capacity/rated load	Q	t	2.5				
1.6	Load centre distance	c	mm	500				
1.8	Load distance, centre of drive axle to fork	x	mm	470				
1.9	Wheelbase	y	mm	1650				
WEIGHTS	2.1	Service weight		kg				
	2.2	Axle loading laden, front/rear		kg				
	2.3	Axle loading unladen, front/rear		kg				
WHEELS	3.1	Tyres: P = Pneumatic, V = Solid, SE = Super Elastic		SE				
	3.2	Tyre size, front		7.00 X 12				
	3.3	Tyre size, rear		6.00 X 9				
	3.5	Number of wheels, front/rear (X = driven)		2x / 2				
DIMENSIONS	3.6	Tread, front	b ₁₀	mm	983			
	3.7	Tread, rear	b ₁₁	mm	958			
	4.1	Tilt of mast / fork carriage forward / backward	α / β	(°)	6 / 6			
	4.2	Height, mast lowered	h ₁	mm	2570			
	4.3	Free lift (1)	h ₂	mm	50			
	4.4	Lift (1)	h ₃	mm	3900			
	4.5	Height, mast extended (2)	h ₄	mm	4500			
	4.7	Height of overhead guard	h ₆	mm	2160			
	4.8	Seat height relating to SIP/stand height (3)	h ₇	mm	1153			
	4.12	Coupling height	h ₁₀	mm	440			
	4.19	Overall length	l ₁	mm	3610			
	4.20	Length to face of forks	l ₂	mm	2579			
	4.21	Overall width (single / wide / dual)	b ₁	mm	1160 / 1280 / 1542			
	4.22	Fork dimensions DIN ISO 2331	s/e/l	mm	40 X 100 X 1000			
	4.23	Fork carriage ISO 2328, class/type A, B			II A			
	4.24	Fork carriage width (4)	b ₃	mm	1070			
	4.31	Ground clearance, laden, below mast	m ₁	mm	130			
	4.32	Ground clearance, centre of wheelbase	m ₂	mm	160			
	4.34.1	Aisle width for pallets 1000 x 1200 crossways	Ast	mm	3933			
	4.34.2	Aisle width for pallets 800 x 1200 lengthways	Ast	mm	4133			
4.35	Turning radius	Wa	mm	2263				
4.36	Internal turning radius	b ₁₃	mm	640				
4.41	90° intersecting aisle (with pallet W = 1200mm, L = 1000mm)			2057				
4.42	Step height (from ground to running board)		mm	440				
4.43	Step height (between intermediate steps between running board and floor)		mm	250				
PERFORMANCE	5.1	Travel speed, laden/unladen		km/h	18.4 / 18.7	17.3 / 17.8	18.4 / 18.7	
	5.1.1	Travel speed, laden/unladen, backwards		km/h	18.7 / 19.0	17.6 / 18.1	18.7 / 19.0	
	5.2	Lift speed, laden/unladen (5)		m/s	0.60 / 0.65	0.59 / 0.65	0.60 / 0.65	
	5.3	Lowering speed, laden/unladen		m/s	0.58 / 0.50	0.58 / 0.49	0.58 / 0.50	
	5.5	Drawbar pull, laden (6)		N	15758	15074	17145	
	5.7	Gradeability, laden/unladen (7)		%	26 / 26	24 / 26	28 / 26	
	5.9	Acceleration time, laden/unladen (to 15m)		s	5.5 / 4.8	5.27 / 4.88	5.9 / 4.5	
	5.10	Service brake			Hydraulic			
	COMBUSTION ENGINE	7.1	Engine manufacturer / type			Yanmar / 4TNV86CT	Yanmar 4TN94L	Yanmar / 4TN88G/GN
		7.2	Engine power according to ISO 1585	Kw		36.6	34.1	42
7.3		Rated speed	min-1		2500	2200	2500	
7.3.1		Torque at 1 / min	(N-m/min)		167 / 1625	162 / 1500	174 / 1690	
7.4		Number of cylinders/displacement	(-) / (cm ³)		4 / 2091	4 / 3053	4 / 2190	
7.5		Fuel consumption according to VDI 2198 (CDP/VDP)	l/h or kg/h		2.9 / 2.7	3.52 / 3.14	2.7 / 2.5	
7.5.1		Fuel consumption according to VDI EN16796 (CDP/VDP)	l/h or kg/h		2.5 / 2.3	3.14 / 2.8	2.4 / 2.2	
7.6		Turnover output (Power / ECO)	(1 / h)		92 / 83	NA	96 / 85	
ADDITIONAL DATA	8.1	Type of drive unit			Automatic			
	10.1	Operating pressure for attachments		bar	180			
	10.2	Oil volume for attachments (8)		l/min	60			
	10.3	Hydraulic oil tank, capacity		l	34.2	40.6	40.6	
	10.4	Fuel tank, capacity		l	39.9	NA	-	
	10.7	Sound pressure level at the driver's seat (9)		dB (A)	78	82	77	
	10.7.2	Guaranteed sound power 2001 / 14 / EC		dB (A)	101	NA	101	
	10.8	Towing coupling type			Pin			

(1) Top of forks. (2) Without load backrest. (3) Full suspension seat to manufacturers SIP. (4) Add 32mm with load backrest. (5) Constant displacement hydraulic pump (CDP). (6) At 1.6km/h. (7) At 4.8km/h. (8) Variable. (9) = LPAZ, measured according to the test cycles and based on the weighting values contained in EN12053.

Spec sheet truck based on:- 3290mm (H2.0-2.5 A) / 3105mm (H3.0-3.5 A) TOF 2 stage LFL Mast with standard carriage, 1000mm forks with manual levers.

CERTIFICATION: Hyster lift trucks meet the design and construction requirements of B56.1-1969, per OSHA Section 1910.178(a)(2), and also comply with the B56.1 revision in effect at time of manufacture. Certification of compliance with the applicable ANSI standards appears on the lift truck. Performance specifications are for a truck equipped as described under Standard Equipment on this technical guide. Performance specifications are affected by the condition of the vehicle and how it is equipped, as well as by the nature, condition of the operating area, proper service and maintenance of the vehicle. If these specifications are critical, the proposed application should be discussed with your dealer.

H2.5A6 DIESEL/LPG SPECIFICATIONS

GENERAL	1.1	Manufacturer				Hyster		
	1.2	Manufacturer's type designation				H2.5A6		
	Engine			Yanmar 2.1L	Yanmar 3.3L	Yanmar 2.2L		
	CE Compliance / Emission Standard			Stage V	Tier III	Tier III & Stage V		
	Transmission			Electronic Powershift 1-Speed	Electronic Powershift / Duramatch 1-Speed	Electronic Powershift 1-Speed		
	Brake Type					Drum Brakes		
1.3	Drive: electric (battery or mains), diesel, petrol, LPG				Diesel	LPG		
1.4	Operator type: hand, pedestrian, standing, seated, order-picker					Seated Rider		
1.5	Rated capacity/rated load	Q	t			2.5		
1.6	Load centre distance	c	mm			600		
1.8	Load distance, centre of drive axle to fork	x	mm			495		
1.9	Wheelbase	y	mm			1700		
WEIGHTS	2.1	Service weight				4292		
	2.2	Axle loading laden, front/rear				5900 / 921		
	2.3	Axle loading unladen, front/rear				1778 / 2514		
WHEELS	3.1	Tyres: P = Pneumatic, V = Solid, SE = Super Elastic				SE		
	3.2	Tyre size, front				28 X 9 - 15		
	3.3	Tyre size, rear				6.5 X 10		
	3.5	Number of wheels, front/rear (X = driven)				2x / 2		
DIMENSIONS	3.6	Tread, front	b ₁₀	mm		959		
	3.7	Tread, rear	b ₁₁	mm		958		
	4.1	Tilt of mast / fork carriage forward / backward	α / β	(°)			6 / 6	
	4.2	Height, mast lowered	h ₁	mm			2592	
	4.3	Free lift (1)	h ₂	mm			50	
	4.4	Lift (1)	h ₃	mm			3900	
	4.5	Height, mast extended (2)	h ₄	mm			4500	
	4.7	Height of overhead guard	h ₆	mm			2182	
	4.8	Seat height relating to SIP/stand height (3)	h ₇	mm			1175	
	4.12	Coupling height	h ₁₀	mm			452	
	4.19	Overall length	l ₁	mm			3714	
	4.20	Length to face of forks	l ₂	mm			2676	
	4.21	Overall width (single / wide / dual)	b ₁	mm			1186 / 1353 / 1545	
	4.22	Fork dimensions DIN ISO 2331	s/e/l	mm			50 X 120 X 1000	
	4.23	Fork carriage ISO 2328, class/type A, B					II A	
	4.24	Fork carriage width (4)	b ₃	mm			1070	
	4.31	Ground clearance, laden, below mast	m ₁	mm			152	
	4.32	Ground clearance, centre of wheelbase	m ₂	mm			182	
	4.34.1	Aisle width for pallets 1000 x 1200 crossways	Ast	mm			4027	
	4.34.2	Aisle width for pallets 800 x 1200 lengthways	Ast	mm			4227	
4.35	Turning radius	Wa	mm			2333		
4.36	Internal turning radius	b ₁₃	mm			660		
4.41	90° intersecting aisle (with pallet W = 1200mm, L = 1000mm)					2089		
4.42	Step height (from ground to running board)		mm			462		
4.43	Step height (between intermediate steps between running board and floor)		mm			250		
PERFORMANCE	5.1	Travel speed, laden/unladen				18.5 / 18.7		
	5.1.1	Travel speed, laden/unladen, backwards				18.8 / 19.0		
	5.2	Lift speed, laden/unladen (5)		m/s	0.60 / 0.65	0.58 / 0.65	0.60 / 0.65	
	5.3	Lowering speed, laden/unladen		m/s	0.58 / 0.50	0.58 / 0.49	0.58 / 0.5	
	5.5	Drawbar pull, laden (6)		N	19314	20021	16920	
	5.7	Gradeability, laden/unladen (7)		%	30 / 25	31 / 25	26 / 25	
	5.9	Acceleration time, laden/unladen (to 15m)		s	5.2 / 4.7	5.11 / 4.52	5.1 / 4.5	
	5.10	Service brake					Hydraulic	
	COMBUSTION ENGINE	7.1	Engine manufacturer / type			Yanmar / 4TNV86CHT	Yanmar 4TNE98	Yanmar / 4TN88G/GN
		7.2	Engine power according to ISO 1585	Kw		44	42.4 Kw	42
7.3		Rated speed	min-1		2500	2300	2500	
7.3.1		Torque at 1 / min	(N-m/min)		202 / 1675	200 / 1700	174 / 1690	
7.4		Number of cylinders/displacement	(-) / (cm ³)		4 / 2091	4 / 3319	4 / 2190	
7.5		Fuel consumption according to VDI 2198 (CDP/VDP)	l/h or kg/h		2.8 / 2.6	3.79 / 3.41	2.8 / 2.6	
7.5.1		Fuel consumption according to VDI EN16796 (CDP/VDP)	l/h or kg/h		2.3 / 2.2	3.37 / 3.04	2.5 / 2.3	
7.6	Turnover output (Power / ECO)	(1 / h)		92 / 83	NA	96 / 85		
ADDITIONAL DATA	8.1	Type of drive unit					Automatic	
	10.1	Operating pressure for attachments		bar			180	
	10.2	Oil volume for attachments (8)		l/min			60	
	10.3	Hydraulic oil tank, capacity		l	34.2	40.6	40.6	
	10.4	Fuel tank, capacity		l	39.9	39.9	-	
	10.7	Sound pressure level at the driver's seat (9)		dB (A)	79	82	77	
	10.7.2	Guaranteed sound power 2001 / 14 / EC		dB (A)	101	NA	101	
	10.8	Towing coupling type					Pin	

(1) Top of forks. (2) Without load backrest. (3) Full suspension seat to manufacturers SIP. (4) Add 32mm with load backrest. (5) Constant displacement hydraulic pump (CDP). (6) At 1.6km/h. (7) At 4.8km/h. (8) Variable. (9) = LPAZ, measured according to the test cycles and based on the weighting values contained in EN12053.

Spec sheet truck based on:- 3290mm (H2.0-2.5 A) / 3105mm (H3.0-3.5 A) TOF 2 stage LFL Mast with standard carriage, 1000mm forks with manual levers.

CERTIFICATION: Hyster lift trucks meet the design and construction requirements of B56.1-1969, per OSHA Section 1910.178(a)(2), and also comply with the B56.1 revision in effect at time of manufacture. Certification of compliance with the applicable ANSI standards appears on the lift truck. Performance specifications are for a truck equipped as described under Standard Equipment on this technical guide. Performance specifications are affected by the condition of the vehicle and how it is equipped, as well as by the nature, condition of the operating area, proper service and maintenance of the vehicle. If these specifications are critical, the proposed application should be discussed with your dealer.

H3.0A DIESEL/LPG SPECIFICATIONS

GENERAL	1.1	Manufacturer			Hyster		
	1.2	Manufacturer's type designation			H3.0A		
		Engine		Yanmar 2.1L	Yanmar 3.3L	Yanmar 2.2L	
		CE Compliance / Emission Standard		Stage V	Tier III	Tier III & Stage V	
		Transmission		Electronic Powershift 1-Speed	Electronic Powershift / Duramatch 1-Speed	Electronic Powershift 1-Speed	
		Brake Type			Drum Brakes		
	1.3	Drive: electric (battery or mains), diesel, petrol, LPG			Diesel	LPG	
	1.4	Operator type: hand, pedestrian, standing, seated, order-picker			Seated Rider		
	1.5	Rated capacity/rated load	Q	t	3.0		
	1.6	Load centre distance	c	mm	500		
1.8	Load distance, centre of drive axle to fork	x	mm	495			
1.9	Wheelbase	y	mm	1700			
WEIGHTS	2.1	Service weight		kg	4642		
	2.2	Axle loading laden, front/rear		kg	6635 / 1007		
	2.3	Axle loading unladen, front/rear		kg	1880 / 2762		
WHEELS	3.1	Tyres: P = Pneumatic, V = Solid, SE = Super Elastic			SE		
	3.2	Tyre size, front			28 X 9 - 15		
	3.3	Tyre size, rear			6.5 X 10		
	3.5	Number of wheels, front/rear (X = driven)			2x / 2		
	3.6	Tread, front	b ₁₀	mm	959		
	3.7	Tread, rear	b ₁₁	mm	958		
	4.1	Tilt of mast / fork carriage forward / backward	α / β	(°)	6 / 6		
DIMENSIONS	4.2	Height, mast lowered	h ₁	mm	2692		
	4.3	Free lift (1)	h ₂	mm	50		
	4.4	Lift (1)	h ₃	mm	3880		
	4.5	Height, mast extended (2)	h ₄	mm	4552		
	4.7	Height of overhead guard	h ₆	mm	2182		
	4.8	Seat height relating to SIP/stand height (3)	h ₇	mm	1175		
	4.12	Coupling height	h ₁₀	mm	462		
	4.19	Overall length	l ₁	mm	3746		
	4.20	Length to face of forks	l ₂	mm	2731		
	4.21	Overall width (single / wide / dual)	b ₁	mm	1186 / 1353 / 1545		
	4.22	Fork dimensions DIN ISO 2331	s/e/l	mm	50 X 120 X 1000		
	4.23	Fork carriage ISO 2328, class/type A, B			III A		
	4.24	Fork carriage width (4)	b ₃	mm	1070		
	4.31	Ground clearance, laden, below mast	m ₁	mm	152		
	4.32	Ground clearance, centre of wheelbase	m ₂	mm	182		
	4.34.1	Aisle width for pallets 1000 x 1200 crossways	Ast	mm	4069		
	4.34.2	Aisle width for pallets 800 x 1200 lengthways	Ast	mm	4269		
	4.35	Turning radius	Wa	mm	2374		
	4.36	Internal turning radius	b ₁₃	mm	660		
	4.41	90° intersecting aisle (with pallet W = 1200mm, L = 1000mm)			2110		
4.42	Step height (from ground to running board)		mm	462			
4.43	Step height (between intermediate steps between running board and floor)		mm	250			
PERFORMANCE	5.1	Travel speed, laden/unladen		km/h	18.4 / 18.6		
	5.1.1	Travel speed, laden/unladen, backwards		km/h	18.7 / 18.9		
	5.2	Lift speed, laden/unladen (5)		m/s	0.56 / 0.61	0.51 / 0.57	0.56 / 0.61
	5.3	Lowering speed, laden/unladen		m/s	0.58 / 0.53		
	5.5	Drawbar pull, laden (6)		N	19160	19867	16766
	5.7	Gradeability, laden/unladen (7)		%	26 / 24	27 / 24	23 / 24
	5.9	Acceleration time, laden/unladen (to 15m)		s	5.3 / 4.7	5.24 / 4.53	5.2 / 4.5
	5.10	Service brake			Hydraulic		
	7.1	Engine manufacturer / type			Yanmar / 4TNV86CHT	Yanmar 4TNE98	Yanmar / 4TN88G/GN
	7.2	Engine power according to ISO 1585		Kw	44	42.4	42
7.3	Rated speed		min-1	2500	2300	2500	
7.3.1	Torque at 1 / min		(N-m/min)	202 / 1675	190 / 1700	174 / 1690	
7.4	Number of cylinders/displacement		(-) / (cm ³)	4 / 2091	4 / 3319	4 / 2190	
7.5	Fuel consumption according to VDI 2198 (CDP/VDP)		l/h or kg/h	3.2 / 2.9	4.26 / 3.84	3.2 / 2.9	
7.5.1	Fuel consumption according to VDI EN16796 (CDP/VDP)		l/h or kg/h	2.6 / 2.4	3.79 / 3.42	2.8 / 2.6	
7.6	Turnover output (Power / ECO)		(1 / h)	90 / 82	NA	95 / 84	
8.1	Type of drive unit			Automatic			
ADDITIONAL DATA	10.1	Operating pressure for attachments		bar	180		
	10.2	Oil volume for attachments (8)		l/min	60		
	10.3	Hydraulic oil tank, capacity		l	34.2	40.6	40.6
	10.4	Fuel tank, capacity		l	39.9	39.9	-
	10.7	Sound pressure level at the driver's seat (9)		dB (A)	79	82	77
	10.7.2	Guaranteed sound power 2001 / 14 / EC		dB (A)	101	NA	101
	10.8	Towing coupling type			Pin		

(1) Top of forks. (2) Without load backrest. (3) Full suspension seat to manufacturers SIP. (4) Add 32mm with load backrest. (5) Constant displacement hydraulic pump (CDP). (6) At 1.6km/h. (7) At 4.8km/h. (8) Variable. (9) = LPAZ, measured according to the test cycles and based on the weighting values contained in EN12053.

Spec sheet truck based on:- 3290mm (H2.0-2.5 A) / 3105mm (H3.0-3.5 A) TOF 2 stage LFL Mast with standard carriage, 1000mm forks with manual levers.

CERTIFICATION: Hyster lift trucks meet the design and construction requirements of B56.1-1969, per OSHA Section 1910.178(a)(2), and also comply with the B56.1 revision in effect at time of manufacture. Certification of compliance with the applicable ANSI standards appears on the lift truck. Performance specifications are for a truck equipped as described under Standard Equipment on this technical guide. Performance specifications are affected by the condition of the vehicle and how it is equipped, as well as by the nature, condition of the operating area, proper service and maintenance of the vehicle. If these specifications are critical, the proposed application should be discussed with your dealer.

H3.5A DIESEL/LPG SPECIFICATIONS

GENERAL	1.1	Manufacturer				Hyster		
	1.2	Manufacturer's type designation				H3.5A		
		Engine			Yanmar 2.1L	Yanmar 3.3L	Yanmar 2.2L	
		CE Compliance / Emission Standard			Stage V	Tier III	Tier III & Stage V	
		Transmission			Electronic Powershift 1-Speed	Electronic Powershift / Duramatch 1-Speed	Electronic Powershift 1-Speed	
		Brake Type				Drum Brakes		
1.3	Drive: electric (battery or mains), diesel, petrol, LPG				Diesel		LPG	
1.4	Operator type: hand, pedestrian, standing, seated, order-picker				Seated Rider			
1.5	Rated capacity/rated load	Q	t		3.5			
1.6	Load centre distance	c	mm		500			
1.8	Load distance, centre of drive axle to fork	x	mm		495			
1.9	Wheelbase	y	mm		1700			
WEIGHTS	2.1	Service weight		kg	4910			
	2.2	Axle loading laden, front/rear		kg	7230 / 1180			
	2.3	Axle loading unladen, front/rear		kg	1683 / 3227			
WHEELS	3.1	Tyres: P = Pneumatic, V = Solid, SE = Super Elastic			SE			
	3.2	Tyre size, front			28 X 9 - 15			
	3.3	Tyre size, rear			6.5 X 10			
	3.5	Number of wheels, front/rear (X = driven)			2x / 2			
	3.6	Tread, front	b ₁₀	mm	959			
	3.7	Tread, rear	b ₁₁	mm	958			
	4.1	Tilt of mast / fork carriage forward / backward	α / β	(°)	6 / 6			
DIMENSIONS	4.2	Height, mast lowered	h ₁	mm	2692			
	4.3	Free lift (1)	h ₂	mm	50			
	4.4	Lift (1)	h ₃	mm	3880			
	4.5	Height, mast extended (2)	h ₄	mm	4552			
	4.7	Height of overhead guard	h ₆	mm	2182			
	4.8	Seat height relating to SIP/stand height (3)	h ₇	mm	1175			
	4.12	Coupling height	h ₁₀	mm	462			
	4.19	Overall length	l ₁	mm	3813			
	4.20	Length to face of forks	l ₂	mm	2781			
	4.21	Overall width (single / wide / dual)	b ₁	mm	1186 / 1353 / 1545			
	4.22	Fork dimensions DIN ISO 2331	s/e/l	mm	50 X 120 X 1000			
	4.23	Fork carriage ISO 2328, class/type A, B			III A			
	4.24	Fork carriage width (4)	b ₃	mm	1070			
	4.31	Ground clearance, laden, below mast	m ₁	mm	152			
	4.32	Ground clearance, centre of wheelbase	m ₂	mm	182			
	4.34.1	Aisle width for pallets 1000 x 1200 crossways	Ast	mm	4144			
	4.34.2	Aisle width for pallets 800 x 1200 lengthways	Ast	mm	4344			
	4.35	Turning radius	Wa	mm	2449			
	4.36	Internal turning radius	b ₁₃	mm	660			
	4.41	90° intersecting aisle (with pallet W = 1200mm, L = 1000mm)			2149			
4.42	Step height (from ground to running board)		mm	462				
4.43	Step height (between intermediate steps between running board and floor)		mm	250				
PERFORMANCE	5.1	Travel speed, laden/unladen		km/h	18.4 / 18.6			
	5.1.1	Travel speed, laden/unladen, backwards		km/h	18.7 / 18.9			
	5.2	Lift speed, laden/unladen (5)		m/s	0.56 / 0.61	0.50 / 0.57	0.56 / 0.61	
	5.3	Lowering speed, laden/unladen		m/s	0.58 / 0.53	0.58 / 0.53	0.58 / 0.50	
	5.5	Drawbar pull, laden (6)		N	19021	19728	16626	
	5.7	Gradeability, laden/unladen (7)		%	24 / 20	25 / 20	21 / 20	
	5.9	Acceleration time, laden/unladen (to 15m)		s	5.5 / 4.8	5.42 / 4.59	5.3 / 4.6	
	5.10	Service brake			Hydraulic			
	COMBUSTION ENGINE	7.1	Engine manufacturer / type			Yanmar / 4TNV86CHT	Yanmar 4TNE98	Yanmar / 4TN88G/GN
		7.2	Engine power according to ISO 1585	Kw		44	42.4	42
7.3		Rated speed	min-1		2500	2300	2500	
7.3.1		Torque at 1 / min	(N-m/min)		202 / 1675	190 / 1700	174 / 1690	
7.4		Number of cylinders/displacement	(-) / (cm ³)		4 / 2091	4 / 3319	4 / 2190	
7.5		Fuel consumption according to VDI 2198 (CDP/VDP)	l/h or kg/h		3.5 / 3.2	4.80 / 4.34	3.5 / 3.2	
7.5.1		Fuel consumption according to VDI EN16796 (CDP/VDP)	l/h or kg/h		2.9 / 2.6	4.03 / 3.87	3.1 / 2.8	
7.6		Turnover output (Power / ECO)	(1 / h)		89 / 81	NA	95 / 84	
ADDITIONAL DATA	8.1	Type of drive unit			Automatic			
	10.1	Operating pressure for attachments		bar	180			
	10.2	Oil volume for attachments (8)		l/min	60			
	10.3	Hydraulic oil tank, capacity		l	34.2	40.6	40.6	
	10.4	Fuel tank, capacity		l	39.9	39.9	-	
	10.7	Sound pressure level at the driver's seat (9)		dB (A)	79	82	77	
	10.7.2	Guaranteed sound power 2001 / 14 / EC		dB (A)	101	NA	101	
	10.8	Towing coupling type			Pin			

(1) Top of forks. (2) Without load backrest. (3) Full suspension seat to manufacturers SIP. (4) Add 32mm with load backrest. (5) Constant displacement hydraulic pump (CDP). (6) At 1.6km/h. (7) At 4.8km/h. (8) Variable. (9) = LPAZ, measured according to the test cycles and based on the weighting values contained in EN12053.

Spec sheet truck based on:- 3290mm (H2.0-2.5 A) / 3105mm (H3.0-3.5 A) TOF 2 stage LFL Mast with standard carriage, 1000mm forks with manual levers.

CERTIFICATION: Hyster lift trucks meet the design and construction requirements of B56.1-1969, per OSHA Section 1910.178(a)(2), and also comply with the B56.1 revision in effect at time of manufacture. Certification of compliance with the applicable ANSI standards appears on the lift truck. Performance specifications are for a truck equipped as described under Standard Equipment on this technical guide. Performance specifications are affected by the condition of the vehicle and how it is equipped, as well as by the nature, condition of the operating area, proper service and maintenance of the vehicle. If these specifications are critical, the proposed application should be discussed with your dealer.

MAST AND CAPACITY INFORMATION

H2.0A RATED CAPACITY @ 500MM LOAD CENTRE										
MAST	Maximum Fork Height (TOF) (mm)	Lowered height (mm)	Extended Height without LBR (mm)	Extended Height with 1220 LBR (mm)	Free Lift Height with LBR (mm)	Back Tilt (deg.)	Capacities (kg) @ 500mm Load Centre			
							Pneumatic Shaped Solid Tyres		Pneumatic Radial Tyres	
							Without sideshift (kg)	With sideshift + Fork Positioner (kg)	Without sideshift (kg)	With sideshift + Fork Positioner (kg)
							H2.0A	H2.0A	H2.0A	H2.0A
2 STAGE LFL	2960	2020	3570	4180	50	6	2000	2000	2000	2000
	3260	2170	3870	4480	50	6	2000	2000	2000	2000
	3560	2320	4170	4780	50	6	2000	2000	2000	2000
	3900	2570	4510	5120	50	6	2000	2000	2000	2000
	4200	2720	4810	5420	50	6	2000	2000	2000	2000
	4500	2870	5110	5720	50	6	1980	1980	1980	1980
	4800	3020	5410	6020	50	6	1920	1910	1920	1910
	5000	3220	5610	6220	50	6	1880	1860	1880	1860
	5500	3470	6110	6720	50	6	1770	1750	1650	1640
2 STAGE FFL	2990	2020	3597	4210	1373	6	2000	2000	2000	2000
	3340	2170	3947	4560	1523	6	2000	2000	2000	2000
	3440	2220	4047	4660	1573	6	2000	2000	2000	2000
	3540	2270	4147	4760	1623	6	2000	2000	2000	2000
	3740	2370	4347	4960	1723	6	2000	2000	2000	2000
	4060	2570	4667	5280	1923	6	2000	2000	2000	2000
	4560	2820	5167	5780	2173	6	1960	1960	1960	1960
	4960	3020	5567	6180	2373	6	1880	1870	1880	1870
	5560	3370	6167	6780	2723	6	1750	1730	1740~	1720~
3 STAGE FFL	4100	2020	4699	5320	1381	6	2000	1970	2000	1970
	4400	2020	4999	5620	1381	6	2000	1970	2000	1970
	4650	2070	5249	5870	1431	6	1950	1920	1860	1840
	4950	2170	5549	6170	1531	6	1890	1860	1890~	1850~
	5250	2320	5849	6470	1681	6	1830	1810	1790~	1780~
	6150	2670	6749	7370	2031	6	1620~	1560~	1350~	1330~
	6450	2820	7049	7670	2181	6	1540~	1480~	1220~	1210~
	6900	3020	7497	7815	2540	6	1210	1190	840	810

~ Wide tread specification.

H2.0A RATED CAPACITY @ 600MM LOAD CENTRE										
MAST	Maximum Fork Height (TOF) (mm)	Lowered height (mm)	Extended Height without LBR (mm)	Extended Height with 1220 LBR (mm)	Free Lift Height with LBR (mm)	Back Tilt (deg.)	Capacities (kg) @ 600mm Load Centre			
							Pneumatic Shaped Solid Tyres		Pneumatic Radial Tyres	
							Without sideshift (kg)	With sideshift + Fork Positioner (kg)	Without sideshift (kg)	With sideshift + Fork Positioner (kg)
							H2.0A	H2.0A	H2.0A	H2.0A
2 STAGE LFL	2960	2020	3570	4180	50	6	1910	1850	1910	1850
	3260	2170	3870	4480	50	6	1900	1840	1900	1840
	3560	2320	4170	4780	50	6	1900	1840	1900	1840
	3900	2570	4510	5120	50	6	1890	1830	1890	1830
	4200	2720	4810	5420	50	6	1880	1820	1880	1820
	4500	2870	5110	5720	50	6	1860	1800	1860	1800
	4800	3020	5410	6020	50	6	1800	1740	1800	1740
	5000	3220	5610	6220	50	6	1750	1690	1750	1690
	5500	3470	6110	6720	50	6	1640	1590	1640	1580
2 STAGE FFL	2990	2020	3597	4210	1373	6	1910	1850	1910	1850
	3340	2170	3947	4560	1523	6	1900	1840	1900	1840
	3440	2220	4047	4660	1573	6	1900	1840	1900	1840
	3540	2270	4147	4760	1623	6	1900	1840	1900	1840
	3740	2370	4347	4960	1723	6	1890	1830	1890	1830
	4060	2570	4667	5280	1923	6	1890	1820	1890	1820
	4560	2820	5167	5780	2173	6	1840	1780	1840	1780
	4960	3020	5567	6180	2373	6	1760	1700	1760	1700
	5560	3370	6167	6780	2723	6	1620	1570	1620~	1560~
3 STAGE FFL	4100	2020	4699	5320	1381	6	1850	1790	1850	1790
	4400	2020	4999	5620	1381	6	1850	1790	1850	1790
	4650	2070	5249	5870	1431	6	1810	1750	1810	1750
	4950	2170	5549	6170	1531	6	1750	1690	1750~	1690~
	5250	2320	5849	6470	1681	6	1700	1640	1680~	1620~
	6150	2670	6749	7370	2031	6	1480	1430	1370~	1350~
	6450	2820	7049	7670	2181	6	1400	1360	1240~	1220~
	6900	3020	7497	7815	2540	6	1270	1230	1070~	1040~

~ Wide tread specification.

MAST AND CAPACITY INFORMATION

H2.5A RATED CAPACITY @ 500MM LOAD CENTRE										
MAST	Maximum Fork Height (TOF) (mm)	Lowered height (mm)	Extended Height without LBR (mm)	Extended Height with LBR 1220 (mm)	Free Lift Height with LBR (mm)	Back Tilt (deg.)	Capacities (kg) @ 500mm Load Centre			
							Pneumatic Shaped Solid Tyres		Pneumatic Radial Tyres	
							Without sideshift (kg)	With sideshift + Fork Positioner (kg)	Without sideshift (kg)	With sideshift + Fork Positioner (kg)
							H2.5A	H2.5A	H2.5A	H2.5A
2 STAGE LFL	2960	2020	3570	4180	50	6	2500	2500	2500	2500
	3260	2170	3870	4480	50	6	2500	2500	2500	2500
	3560	2320	4170	4780	50	6	2500	2450	2500	2450
	3900	2570	4510	5120	50	6	2500	2440	2500	2440
	4200	2720	4810	5420	50	6	2500	2430	2500	2430
	4500	2870	5110	5720	50	6	2470	2410	2470	2410
	4800	3020	5410	6020	50	6	2410	2340	2410~	2330~
	5000	3220	5610	6220	50	6	2360	2280	2360~	2280~
	5500	3470	6110	6720	50	6	2240	2160	2210~	2150~
	2990	2020	3597	4210	1373	6	2500	2460	2500	2460
2 STAGE FFL	3340	2170	3947	4560	1523	6	2500	2460	2500	2460
	3440	2220	4047	4660	1573	6	2500	2450	2500	2450
	3540	2270	4147	4760	1623	6	2500	2450	2500	2450
	3740	2370	4347	4960	1723	6	2500	2450	2500	2450
	4060	2570	4667	5280	1923	6	2500	2440	2500	2440
	4560	2820	5167	5780	2173	6	2460	2390	2450	2380
	4960	3020	5567	6180	2373	6	2370	2290	2370~	2290~
	5560	3370	6167	6780	2723	6	2220	2140	2210~	2130~
	4000	2020	4599	5220	1381	6	2500	2500	2500	2500
	4100	2020	4699	5320	1381	6	2500	2430	2420	2410
3 STAGE FFL	4300	2020	4899	5520	1381	6	2500	2430	2290	2275
	4650	2070	5249	5870	1431	6	2440	2380	1950	1950
	4950	2170	5549	6170	1531	6	2380	2310	2120~	2100~
	5100	2270	5699	6320	1631	6	2350	2260	2010~	1990~
	5550	2420	6149	6770	1781	6	2230~	2150~	1700~	1700~
	5700	2520	6299	6920	1881	6	2190~	2110~	1620~	1600~
	6150	2670	6749	7370	2031	6	2060~	1990~	1380~	1350~
	6450	2820	7049	7670	2181	6	1880~	1870~	1230~	1200~
	6900	3020	7499	8120	2381	6	1610~	1560~	1020~	990~

~ Wide tread specification.

H2.5A RATED CAPACITY @ 600MM LOAD CENTRE										
MAST	Maximum Fork Height (TOF) (mm)	Lowered height (mm)	Extended Height without LBR (mm)	Extended Height with LBR 1220 (mm)	Free Lift Height with LBR (mm)	Back Tilt (deg.)	Capacities (kg) @ 600mm Load Centre			
							Pneumatic Shaped Solid Tyres		Pneumatic Radial Tyres	
							Without sideshift (kg)	With sideshift + Fork Positioner (kg)	Without sideshift (kg)	With sideshift + Fork Positioner (kg)
							H2.5A	H2.5A	H2.5A	H2.5A
2 STAGE LFL	2960	2020	3570	4180	50	6	2310	2240	2310	2240
	3260	2170	3870	4480	50	6	2360	2290	2360	2290
	3560	2320	4170	4780	50	6	2300	2230	2300	2230
	3900	2570	4510	5120	50	6	2290	2220	2290	2220
	4200	2720	4810	5420	50	6	2280	2210	2280	2210
	4500	2870	5110	5720	50	6	2260	2190	2260	2190
	4800	3020	5410	6020	50	6	2190	2120	2190~	2120~
	5000	3220	5610	6220	50	6	2140	2070	2140~	2070~
	5500	3470	6110	6720	50	6	2030	1960	2020~	1960~
	2990	2020	3597	4210	1373	6	2310	2240	2310	2240
2 STAGE FFL	3340	2170	3947	4560	1523	6	2300	2230	2300	2230
	3440	2220	4047	4660	1573	6	2300	2230	2300	2230
	3540	2270	4147	4760	1623	6	2300	2230	2300	2230
	3740	2370	4347	4960	1723	6	2290	2220	2290	2220
	4060	2570	4667	5280	1923	6	2290	2210	2290	2210
	4560	2820	5167	5780	2173	6	2240	2170	2240	2170
	4960	3020	5567	6180	2373	6	2150	2080	2150~	2080~
	5560	3370	6167	6780	2723	6	2010	1940	2000~	1940~
	4000	2020	4599	5220	1381	6	2280	2210	2280	2210
	4100	2020	4699	5320	1381	6	2280	2210	2280	2210
3 STAGE FFL	4300	2020	4899	5520	1381	6	2280	2210	2215	2175
	4650	2070	5249	5870	1431	6	2230	2160	2230~	2160~
	4950	2170	5549	6170	1531	6	2170	2100	2120~	2090~
	5100	2270	5699	6320	1631	6	2130	2065	2030~	2020~
	5550	2420	6149	6770	1781	6	2020~	1950	1730~	1720~
	5700	2520	6299	6920	1881	6	1980~	1920	1650~	1630
	6150	2670	6749	7370	2031	6	1860~	1800~	1390~	1370~
	6450	2820	7049	7670	2181	6	1780~	1720~	1250~	1220~
	6900	3020	7499	8120	2381	6	1610~	1560~	1040~	1010~

~ Wide tread specification.

MAST AND CAPACITY INFORMATION

H2.5A6 RATED CAPACITY @ 500MM LOAD CENTRE										
MAST	Maximum Fork Height (TOF) (mm)	Lowered height (mm)	Extended Height without LBR (mm)	Extended Height with 1220 LBR (mm)	Free Lift Height with LBR (mm)	Back Tilt (deg.)	Capacities (kg) @ 500mm Load Centre			
							Pneumatic Shaped Solid Tyres		Pneumatic Radial Tyres	
							Without sideshift (kg)	With sideshift + Fork Positioner (kg)	Without sideshift (kg)	With sideshift + Fork Positioner (kg)
							H2.5A6	H2.5A6	H2.5A6	H2.5A6
2 STAGE LFL	2960	2042	3570	4180	50	6	2700	2700	2700	2700
	3260	2192	3870	4480	50	6	2700	2700	2700	2700
	3560	2342	4170	4780	50	6	2700	2700	2700	2700
	3900	2592	4510	5120	50	6	2700	2690	2700	2690
	4200	2742	4810	5420	50	6	2700	2680	2700	2680
	4500	2892	5110	5720	50	6	2680	2660	2670	2660
	4800	3042	5410	6020	50	6	2610	2590	2560	2560
	5000	3242	5610	6220	50	6	2570	2540	2420	2420
	5500	3492	6110	6720	50	6	2450	2410	2440~	2430~
	2990	2042	3597	4210	1395	6	2700	2700	2700	2700
2 STAGE FFL	3340	2192	3497	4560	1545	6	2700	2700	2700	2700
	3440	2242	4047	4660	1595	6	2700	2700	2700	2700
	3540	2292	4147	4760	1645	6	2700	2700	2700	2700
	3740	2392	4347	4960	1745	6	2700	2700	2700	2700
	4060	2592	4667	5280	1945	6	2700	2690	2700	2690
	4560	2842	5167	5780	2195	6	2660	2640	2650	2640
	4960	3042	5567	6180	2395	6	2570	2540	2570~	2570~
	5560	3392	6167	6780	2745	6	2430	2640	2420~	2420~
	4000	2042	4599	5220	1403	6	2700	2680	2700	2700
	4100	2042	4699	5320	1403	6	2700	2680	2700	2680
3 STAGE FFL	4300	2042	4899	5520	1403	6	2700	2680	2590	2590
	4650	2092	5249	5870	1453	6	2640	2640	2640~	2640~
	4950	2192	5549	6170	1553	6	2550	2560	2580~	2580~
	5100	2292	5699	6320	1653	6	2580~	2550~	2540~	2540~
	5550	2442	6149	6770	1803	6	2440~	2440~	2250~	2250~
	5700	2542	6299	6920	1903	6	2400~	2400~	2150~	2140~
	6150	2692	6749	7370	2053	6	2190~	2140~	1870~	1850~
	6450	2842	7049	7670	2203	6	1940~	1890~	1690~	1670~
	6900	3042	7499	8120	2403	6	1610~	1560~	1440~	1420~

~ Wide tread specification.

H2.5A6 RATED CAPACITY @ 600MM LOAD CENTRE										
MAST	Maximum Fork Height (TOF) (mm)	Lowered height (mm)	Extended Height without LBR (mm)	Extended Height with 1220 LBR (mm)	Free Lift Height with LBR (mm)	Back Tilt (deg.)	Capacities (kg) @ 600mm Load Centre			
							Pneumatic Shaped Solid Tyres		Pneumatic Radial Tyres	
							Without sideshift (kg)	With sideshift + Fork Positioner (kg)	Without sideshift (kg)	With sideshift + Fork Positioner (kg)
							H2.5A6	H2.5A6	H2.5A6	H2.5A6
2 STAGE LFL	2960	2042	3570	4180	50	6	2530	2530	2530	2530
	3260	2192	3870	4480	50	6	2530	2530	2530	2530
	3560	2342	4170	4780	50	6	2530	2530	2530	2530
	3900	2592	4510	5120	50	6	2530	2530	2530	2530
	4200	2742	4810	5420	50	6	2530	2530	2530	2530
	4500	2892	5110	5720	50	6	2530	2530	2530	2530
	4800	3042	5410	6020	50	6	2530	2530	2530	2530
	5000	3242	5610	6220	50	6	2530	2530	2430	2420
	5500	3492	6110	6720	50	6	2450	2430	2440~	2410~
	2990	2042	3597	4210	1395	6	2530	2530	2530	2530
2 STAGE FFL	3340	2192	3497	4560	1545	6	2530	2530	2530	2530
	3440	2242	4047	4660	1595	6	2530	2530	2530	2530
	3540	2292	4147	4760	1645	6	2530	2530	2530	2530
	3740	2392	4347	4960	1745	6	2530	2530	2530	2530
	4060	2592	4667	5280	1945	6	2530	2530	2530	2530
	4560	2842	5167	5780	2195	6	2530	2530	2530	2530
	4960	3042	5567	6180	2395	6	2530	2530	2520	2520
	5560	3392	6167	6780	2745	6	2430	2390	2420~	2380~
	4000	2042	4599	5220	1403	6	2530	2530	2530	2530
	4100	2042	4699	5320	1403	6	2530	2530	2530	2530
3 STAGE FFL	4300	2042	4899	5520	1403	6	2530	2530	2530	2530
	4650	2092	5249	5870	1453	6	2530	2530	2530~	2530~
	4950	2192	5549	6170	1553	6	2530	2530	2530~	2530~
	5100	2292	5699	6320	1653	6	2450	2450	2530~	2510~
	5550	2442	6149	6770	1803	6	2440~	2400~	2280~	2270~
	5700	2542	6299	6920	1903	6	2400~	2360~	2180~	2170~
	6150	2692	6749	7370	2053	6	2190~	2140~	1900~	1880~
	6450	2842	7049	7670	2203	6	1940~	1890~	1720~	1700~
	6900	3042	7499	8120	2403	6	1610~	1560~	1470~	1450~

~ Wide tread specification.

MAST AND CAPACITY INFORMATION

H3.0A RATED CAPACITY @ 500MM LOAD CENTRE										
MAST	Maximum Fork Height (TOF) (mm)	Lowered height (mm)	Extended Height without LBR (mm)	Extended Height with LBR 1220 (mm)	Free Lift Height with LBR (mm)	Back Tilt (deg.)	Capacities (kg) @ 500mm Load Centre			
							Pneumatic Shaped Solid Tyres		Pneumatic Radial Tyres	
							Without sideshift (kg)	With sideshift + Fork Positioner (kg)	Without sideshift (kg)	With sideshift + Fork Positioner (kg)
							H3.0A	H3.0A	H3.0A	H3.0A
2 STAGE LFL	2980	2142	3662	4198	50	6	3000	2920	3000	2920
	3280	2292	3962	4498	50	6	3000	2920	3000	2920
	3380	2342	4062	4598	50	6	3000	2910	3000	2910
	3580	2442	4262	4798	50	6	3000	2910	3000	2910
	3880	2692	4562	5098	50	6	3000	2900	3000	2900
	4180	2842	4862	5398	50	6	3000	2890	3000	2890
	4480	2992	5162	5698	50	6	2930	2830	2920	2820
	4780	3242	5462	5998	50	6	2870	2750	2670	2670
	5480	3592	6162	6698	50	6	2690	2580	2690~	2570~
	5880	3892	6562	7098	50	6	2570~	2460~	2570~	2450~
2 STAGE FFL	3000	2092	3684	4224	1362	6	3000	2940	3000	2940
	3200	2192	3884	4424	1462	6	3000	2940	3000	2940
	3500	2342	4184	4724	1612	6	3000	2930	3000	2930
	3700	2442	4384	4924	1712	6	3000	2930	3000	2930
	4000	2642	4684	5224	1912	6	3000	2920	3000	2920
	4500	2892	5184	5724	2162	6	2930	2840	2930	2840
	5000	3192	5684	6224	2462	6	2820	2720	2820~	2720~
	5400	3392	6084	6624	2662	6	2720	2620	2720~	2610~
	4020	2042	4690	5238	1320	6	3000	2900	3000	2900
	4320	2092	4990	5538	1370	6	2970	2870	2960~	2870~
3 STAGE FFL	4620	2192	5290	5838	1470	6	2900	2800	2900~	2800~
	4920	2342	5590	6138	1620	6	2740	2730	2830~	2730~
	5520	2592	6190	6738	1870	6	2670~	2580~	2390~	2380~
	6120	2842	6790	7338	2120	6	2390~	2380~	1950~	1930~
	6570	3042	7240	7788	2320	6	2050~	2050~	1650~	1630~
	7020	3192	7690	8238	2470	6	1750~	1740~	1380~	1370~

~ Wide tread specification.

H3.0A RATED CAPACITY @ 600MM LOAD CENTRE										
MAST	Maximum Fork Height (TOF) (mm)	Lowered height (mm)	Extended Height without LBR (mm)	Extended Height with LBR 1220 (mm)	Free Lift Height with LBR (mm)	Back Tilt (deg.)	Capacities (kg) @ 600mm Load Centre			
							Pneumatic Shaped Solid Tyres		Pneumatic Radial Tyres	
							Without sideshift (kg)	With sideshift + Fork Positioner (kg)	Without sideshift (kg)	With sideshift + Fork Positioner (kg)
							H3.0A	H3.0A	H3.0A	H3.0A
2 STAGE LFL	2980	2142	3662	4198	50	6	2770	2660	2770	2660
	3280	2292	3962	4498	50	6	2770	2660	2770	2660
	3380	2342	4062	4598	50	6	2770	2650	2770	2660
	3580	2442	4262	4798	50	6	2760	2650	2760	2650
	3880	2692	4562	5098	50	6	2750	2640	2750	2640
	4180	2842	4862	5398	50	6	2740	2630	2740	2630
	4480	2992	5162	5698	50	6	2680	2570	2680	2570
	4780	3242	5462	5998	50	6	2610	2510	2610	2500
	5480	3592	6162	6698	50	6	2450	2350	2440~	2340~
	5880	3892	6562	7098	50	6	2340	2240	2330~	2240~
2 STAGE FFL	3000	2092	3684	4224	1362	6	2770	2680	2770	2680
	3200	2192	3884	4424	1462	6	2770	2670	2770	2670
	3500	2342	4184	4724	1612	6	2760	2670	2760	2670
	3700	2442	4384	4924	1712	6	2760	2660	2760	2660
	4000	2642	4684	5224	1912	6	2750	2660	2750	2660
	4500	2892	5184	5724	2162	6	2680	2590	2680	2590
	5000	3192	5684	6224	2462	6	2570	2720	2570~	2470
	5400	3392	6084	6624	2662	6	2470	2390	2470~	2380~
	4020	2042	4690	5238	1320	6	2740	2640	2740	2640
	4320	2092	4990	5538	1370	6	2710	2620	2650	2610
3 STAGE FFL	4620	2192	5290	5838	1470	6	2640	2550	2640~	2550~
	4920	2342	5590	6138	1620	6	2580	2490	2570~	2480~
	5520	2592	6190	6738	1870	6	2430~	2350~	2410~	2340~
	6120	2842	6790	7338	2120	6	2270~	2190~	1980~	1960~
	6570	3042	7240	7788	2320	6	2100~	2070~	1690~	1660~
	7020	3192	7690	8238	2470	6	1800~	1790~	1420~	1400~

~ Wide tread specification.

MAST AND CAPACITY INFORMATION

H3.5A RATED CAPACITY @ 500MM LOAD CENTRE										
MAST	Maximum Fork Height (TOF) (mm)	Lowered height (mm)	Extended Height without LBR (mm)	Extended Height with LBR 1220 (mm)	Free Lift Height with LBR (mm)	Back Tilt (deg.)	Capacities (kg) @ 500mm Load Centre			
							Pneumatic Shaped Solid Tyres		Pneumatic Radial Tyres	
							Without sideshift (kg)	With sideshift + Fork Positioner (kg)	Without sideshift (kg)	With sideshift + Fork Positioner (kg)
							H3.5A	H3.5A	H3.5A	H3.5A
2 STAGE LFL	2980	2142	3662	4198	50	6	3500	3460	3500	3460
	3280	2292	3962	4498	50	6	3500	3460	3500	3460
	3380	2342	4062	4598	50	6	3500	3450	3500	3450
	3580	2442	4262	4798	50	6	3500	3450	3500	3450
	3880	2692	4562	5098	50	6	3500	3440	3500	3440
	4180	2842	4862	5398	50	6	3500	3430	3500	3430
	4480	2992	5162	5698	50	6	3430	3300	3430~	3300~
	4780	3242	5462	5998	50	6	3360	3220	3360~	3220~
	5480	3592	6162	6698	50	6	3170~	3040~	3160~	3030~
	5880	3892	6562	7098	50	6	3040~	2920~	2760~	2770~
2 STAGE FFL	3000	2092	3684	4224	1362	6	3500	3420	3500	3420
	3200	2192	3884	4424	1462	6	3500	3420	3500	3420
	3500	2342	4184	4724	1612	6	3500	3410	3500	3410
	3700	2442	4384	4924	1712	6	3500	3410	3500	3410
	4000	2642	4684	5224	1912	6	3500	3400	3500	3400
	4500	2892	5184	5724	2162	6	3430	3320	3430~	3320~
	5000	3192	5684	6224	2462	6	3310	3190	3310~	3190~
	5400	3392	6084	6624	2662	6	3200~	3080~	3190~	3080~
	4020	2042	4690	5238	1320	6	3500	3390	3500~	3390~
	4320	2092	4990	5538	1370	6	3460	3360	3460~	3360~
3 STAGE FFL	4620	2192	5290	5838	1470	6	3400~	3290~	3390~	3290~
	4920	2342	5590	6138	1620	6	3330~	3210~	3050~	3060~
	5520	2592	6190	6738	1870	6	3070~	3050~	2460~	2450~
	6120	2842	6790	7338	2120	6	2480~	2480~	1950~	1930~
	6570	3042	7240	7788	2320	6	2830*	2730*	1590~	1580~
	7020	3192	7690	8238	2470	6	2640*	2570*	1310~	1280~

~ Wide tread specification. * Dual tread specification.

H3.5A RATED CAPACITY @ 600MM LOAD CENTRE										
MAST	Maximum Fork Height (TOF) (mm)	Lowered height (mm)	Extended Height without LBR (mm)	Extended Height with LBR 1220 (mm)	Free Lift Height with LBR (mm)	Back Tilt (deg.)	Capacities (kg) @ 600mm Load Centre			
							Pneumatic Shaped Solid Tyres		Pneumatic Radial Tyres	
							Without sideshift (kg)	With sideshift + Fork Positioner (kg)	Without sideshift (kg)	With sideshift + Fork Positioner (kg)
							H3.5A	H3.5A	H3.5A	H3.5A
2 STAGE LFL	2980	2142	3662	4198	50	6	3280	3150	3280	3150
	3280	2292	3962	4498	50	6	3270	3150	3270	3150
	3380	2342	4062	4598	50	6	3270	3150	3270	3150
	3580	2442	4262	4798	50	6	3270	3140	3270	3140
	3880	2692	4562	5098	50	6	3250	3130	3250	3130
	4180	2842	4862	5398	50	6	3250	3070	3190	3070
	4480	2992	5162	5698	50	6	3130	3010	3130~	3010
	4780	3242	5462	5998	50	6	3050	2940	3050~	2930~
	5480	3592	6162	6698	50	6	2880	2770	2870~	2760~
	5880	3892	6562	7098	50	6	2760~	2660~	2760~	2650~
2 STAGE FFL	3000	2092	3684	4224	1362	6	3220	3110	3220	3110
	3200	2192	3884	4424	1462	6	3220	3110	3220	3110
	3500	2342	4184	4724	1612	6	3210	3110	3210	3110
	3700	2442	4384	4924	1712	6	3210	3100	3210	3100
	4000	2642	4684	5224	1912	6	3200	3090	3200	3090
	4500	2892	5184	5724	2162	6	3130	3020	3090	3020
	5000	3192	5684	6224	2462	6	3010	2910	3000~	2900~
	5400	3392	6084	6624	2662	6	2910	2810	2900~	2800~
	4020	2042	4690	5238	1320	6	3190	3090	3190~	3090~
	4320	2092	4990	5538	1370	6	3160	3060	3160~	3060~
3 STAGE FFL	4620	2192	5290	5838	1470	6	3100	3000	3090~	2990~
	4920	2342	5590	6138	1620	6	3020~	2880	3020~	2920~
	5520	2592	6190	6738	1870	6	2870~	2770~	2480~	2470~
	6120	2842	6790	7338	2120	6	2530~	2530~	1980~	1970~
	6570	3042	7240	7788	2320	6	2570*	2480*	1640~	1620~
	7020	3192	7690	8238	2470	6	2420*	2340*	1340~	1310~

~ Wide tread specification. * Dual tread specification.

STANDARD AND OPTIONAL EQUIPMENT

PERFORMANCE	STD	OPT
Yanmar 2.2L LPG Tier III		X
Yanmar 2.2L Dual Fuel Tier III		X
Yanmar 3.0L Diesel Tier III		X
Yanmar 3.3L Diesel Tier III		X
Yanmar 2.1L DPF (37 kW) Diesel		X
Yanmar 2.1L DPF with CAC (44 kW) Diesel		X
Yanmar 2.2L LPG Stage V		X
Powershift Transmission	X	
Duramatch Transmission		X
Drum Brakes	X	
Oil immersed brakes		X
Standard (-20° C to 40° C) Environmental construction	X	
High Air Intake	X	
Heavy duty air intake and pre-cleaner options		X
Internal Air Intake		X
Fixed LPG bracket with Fabric strap		X
Swing Out and Drop Down LPG bracket with Fabric Strap		X
LPG tank bracket interlock		X
Integrated Fuel Level Sensor	X	
On-demand cooling system		X
Low Exhaust		X
Overhead Exhaust		X
System monitoring package		X
Premium monitoring package		X
Powertrain Protection with engine shutdown		X
Radiator Screen		X
Exhaust wraps		X
Empty seat engine shutdown		X
Hot ambient construction		X
Belly screen		X
High capacity starter battery		X
Tie downs		X
DRIVE	STD	OP
Single pedal inch brake	X	
Dual brake pedal		X
Tyres - Super Elastic	X	
Tyres - Super Elastic - Premium		X
Tyres - Super Elastic - Premium - Non Marking		X
Tyres - Pneumatic Radial - Premium		X
Tyres - Pneumatic - Premium		X
Wide tread tyres		X
Dual tread tyres		X
Steer Column with Tilt and Telescope		X
Steering Column Mounted Directional Control	X	
Steering Wheel with Spinner Knob	X	
Steer Column with Infinitely Adjustable Tilt	X	
On Demand Power Steering	X	
On demand Power Steering with Synchronous Steering		X
LIFT	STD	OPT
2 Stage Limited Free Lift Mast – Class II/III	X	
2 Stage Full Free Lift Mast – Class II/III		X
3 Stage Full Free Lift Mast – Class II/III		X

2 Stage Limited Free Lift Mast - Class III - 3.0t	X	
2 Stage Full Free Lift Mast - Class III - 3.0t		X
3 Stage Full Free Lift Mast - Class III - 3.0t		X
6° Forward / 6° Back Mast Tilt	X	
10° Forward / 6° Back Mast Tilt		X
Standard Displacement Hydraulic Pump	X	
On Demand Hydraulic Pump (VDP)		X
HANDLING	STD	OPT
Hook Type Standard Carriage - 1070mm	X	
Hook Type Standard Carriage - 1220mm		X
Hook Type Integral Sideshift Carriage - 1070mm		X
Hook Type Integral Sideshift Carriage - 1220mm		X
Hook Type Integral Sideshifting Fork Positioner - 1070mm		X
Hook Type Integral Sideshifting Fork Positioner - 1220mm		X
Type Standard Taper Forks 1000mm	X	
Type Standard Taper Forks 1100mm		X
Hook Type Standard Taper Forks 1200mm		X
Without Load backrest		X
1220mm High Load Backrest	X	
915mm High Load Backrest		X
915mm High Load Backrest Drop Centre		X
1524mm High Load Backrest		X
Tilt Cylinder Boots		X
Hydraulic Accumulator		X
Manual Lever Hydraulic Control	X	
Mini Lever Hydraulic Control		X
Joystick hydraulic control		X
High temperature hydraulic fluid		X
Clamping function		X
Return to set tilt function		X
2 Function (0 Auxiliary) Hydraulic Valve	X	
3 Function (1 Auxiliary) Hydraulic Valve		X
4 Function (2 Auxiliary) Hydraulic Valve		X
Lift Assist		X
Fork Laser Positioning System		X
Height Selector		X
Load Weight Display		X
Attachment extension tubes and quick disconnects		X
VISIBILITY	STD	OPT
Top wiper		X
Spot light activation continuous / directional		X
Dual Side View Mirrors		X
Panoramic Mirror		X
LED Work lights		X
High Performance LED Work lights		X
Rear reflector	X	
LED Rear light package Brake/Tail/Backup		X
LED Rear light package Brake/Tail/Backup/Turn		X
LED Rear light package Brake/Tail/Backup/Turn/Hazards		X
Switch Activated Strobe Light		X
Audible Reverse Alarm		X
Forward and Reverse Alarm		X
LED Mast Mounted lights		X

STANDARD AND OPTIONAL EQUIPMENT (CONTINUED)

Blue LED Pedestrian Awareness Spotlights		X
Red LED Pedestrian Awareness Perimeter Lines		X
Rear View Camera System Integrated in 178mm Colour Display		X
ERGONOMICS	STD	OPT
Monitor mount	X	
2" Display only for for Non Regulated	X	
Rectangular guard MEA		X
Operator fan		X
Beverage holder		X
RF handheld scanner holder		X
Mobile phone holder		X
Starter battery dongle		X
Engine block heater		X
Stretch film roll holder		X
Rectangular guard for non regulated	X	
Polycarbonate rain top Non Regulated		X
Figure 8 Tube Over Head Guard	X	
Grid Style Overhead Guard	X	
Clear View Overhead Guard		X
Cabin Options (Partial, PVC, Steel Doors)		X
Rear Drive Handle with Horn Button		X
Console Tray	X	
127mm / 5" Colour Touchscreen Display		X
178mm / 7" Colour Touchscreen Display		
Full Suspension Vinyl Seat	X	
Full Suspension Cloth Seat	X	
Full Suspension Vinyl Seat - Value		X
Air Ride Full Suspension Vinyl Seat		X
Air Ride Full Suspension Cloth Seat		X
Full suspension seat - Low profile		X
Sun Shades (top and / or front)		X
Air Conditioning		X
Accessory Mounting Post and options		X
12v Aux supply		X
12v Supply with twin USB charging sockets		X
OPERATION	STD	OPT
Traction speed limiters		X
Seat belt Hi-Vis interlocking		X
Key Switch Start	X	
Keyless with Operator password start		X
Engine driven cooling	X	
Travel speed Alarm		X
Battery disconnect		X
Front Mud Guards		X
Drive axle string cutter		X
Standard Seat Belt	X	
HI VIS Red Seat Belt		X
Telemetry Prepared		X
Dynamic Stability System		X
Speed Reduction in Corners		X
Seat Side Direction Control		X
Foot Direction Control		X
Hyster Tracker Wireless Monitoring		X

Hyster Tracker Wireless Access		X
Hyster Tracker Wireless Verification		X
APPEARANCE	STD	OPT
Hyster yellow paint base truck	X	
Special paint base truck		X
SUPPLEMENTAL		
24 Months / 4,000 Hours Warranty	X	
36 Months / 6,000 Hours Warranty		X
Literature Pack	X	





Ihr Händler

EDER
STAPLER



Sindlhauser Straße 6 - 83104 Tuntenhausen
Tel. +49 8067 181-727
E-Mail: verkauf@eder-stapler.de
www.eder-stapler.de - www.eder-miete.de

Augsburg/Friedberg

Winterbrückenweg 54 - 86316 Friedberg
Tel. +49 821 780841-0

München/Garching

Dirnismaning 34 - 85748 Garching
Tel. +49 89 9286153-0

Regensburg/Neutraubling

Berliner Straße 33 - 93073 Neutraubling
Tel. +49 9401 5220-96



HYSTER EUROPE


Centennial House, Building 4.5, Frimley Business Park,
Frimley, Surrey GU16 7SG, United Kingdom.

Visit us online at www.hyster.com or call us at **+44 (0) 1276 538500**.

HYSTER-YALE UK LIMITED trading as Hyster Europe.

Registered Address: Centennial House, Building 4.5, Frimley Business Park, Frimley, Surrey GU16 7SG, United Kingdom.

Registered in England and Wales. Company Registration Number: 02636775.

© HYSTER-YALE UK LIMITED. 2022, all rights reserved. HYSTER and  are trademarks of Hyster-Yale Group, Inc.

Hyster products are subject to change without notice. Forklift trucks illustrated may feature optional equipment.



Safety: This truck conforms to the current EU requirements.